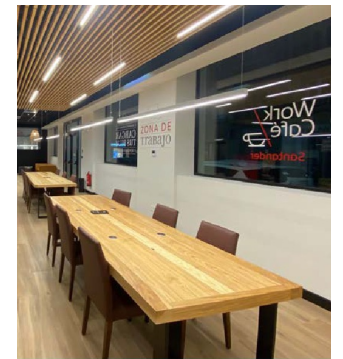




MAKE EVERY SURFACE A POWER SOURCE



WIRELESS CHARGING SOLUTIONS
FOR HOTELS, RESTAURANTS,
CATERING





ABOUT US



IPAN IPAN is a french company specialized in **wireless charging for public places**, since 2011.

It develops, **designs and manufactures** its wireless charging solutions for the **furniture industry**, hospitality market and professional installers.

As an active member of the **Wireless Power Consortium (WPC)**, IPAN IPAN offers Qi certified solutions in order to guarantee the **highest safety and quality level** to its customers and users.

IPAN IPAN **innovates** to provide state-of-the-art wireless charging solutions in line with the **constantly evolving clients' requirements**.

CHOSEN by the BIGGEST BRANDS



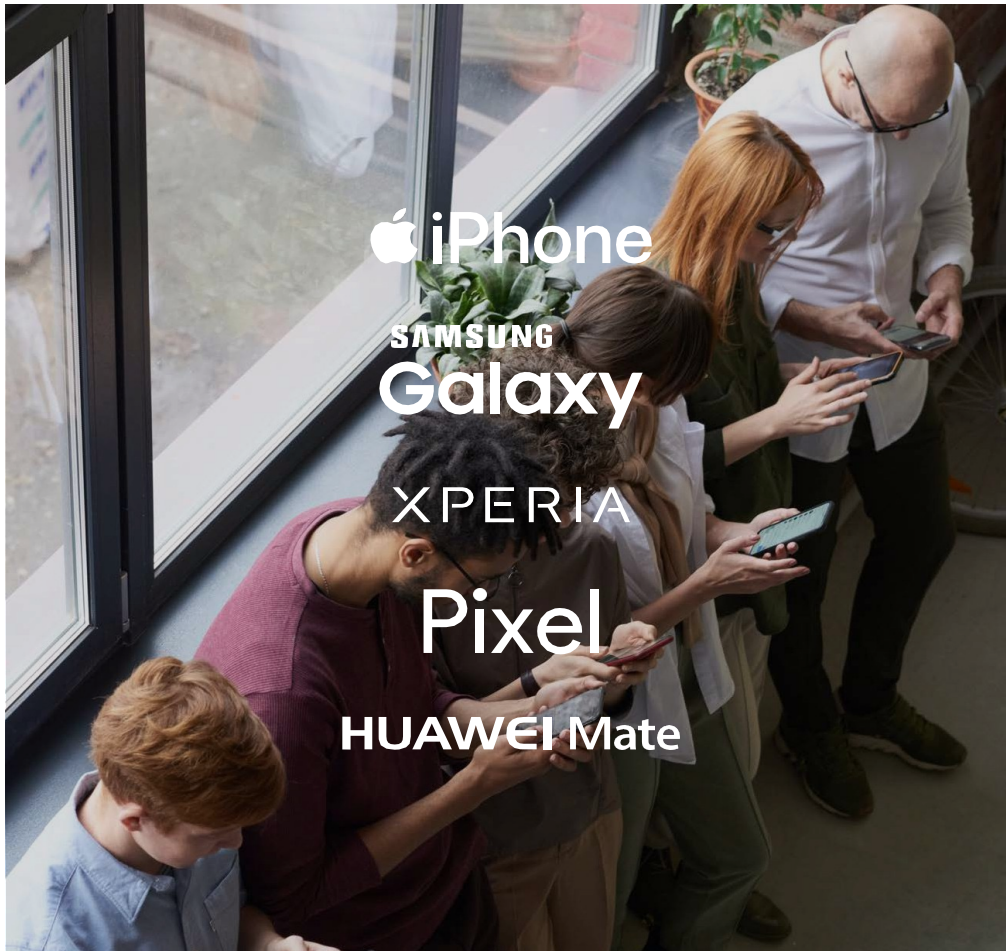
1

IPATIPAT

**WIRELESS CHARGING
IN PUBLIC PLACES**



THE MARKET



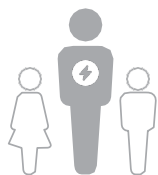
+ 1.000.000.000

phones sold worldwide are equipped with

wireless charging



WIRELESS CHARGING IN PUBLIC PLACES

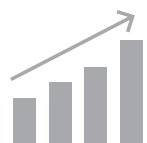


DIFFERENTIATE YOURSELF
from the competition

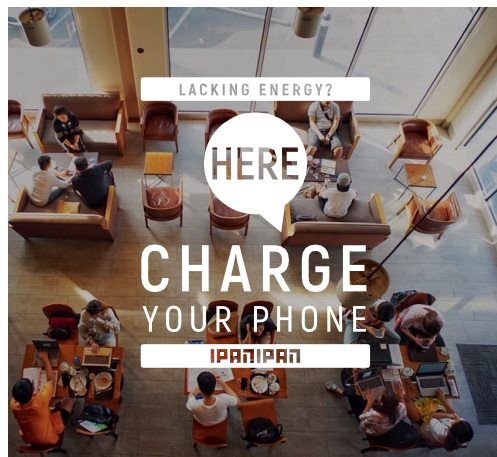


17%
CUSTOMERS

Have already come only
TO CHARGE THEIR PHONE



INCREASE THE INCOME
Of your business



2/3
CUSTOMERS

Have already come to a Horeca venue
FOR RECHARGE THEIR SMARTPHONE.



2

ΠΡΟΤΙΠΡΑΗ

PRODUCT
OVERVIEW



EASY CLIP™ RANGE



WIRELESS CHARGERS FOR FURNITURE CONNECTED TO THE MAINS

The furniture is connected to the electricity supply via the floor, walls or partitions. A preliminary study is recommended in order to establish a budget for the connection to the mains (making a groove in the floor, installing trunking, etc.) Once installed, the wireless chargers are made available to customers on a «self-service» basis and operate completely independently.



Qi certified



Qi certified



Thickness from 10 mm



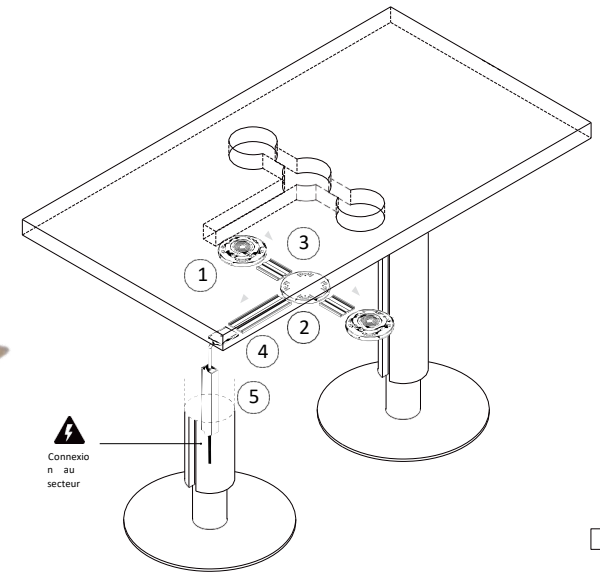
Patented connection



Respect design



Integration in factory



SOME EXAMPLES

EASY CLIP™ RANGE
ИРАПІРАПІ



McDonald's



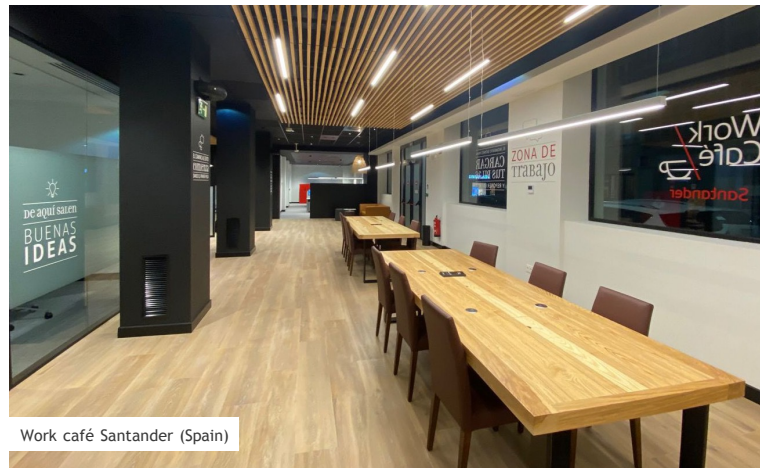
BeCordial Hotel (Canary island, Spain)



The Coffee (Paris, France)



Hesburger (Finland)



Work café Santander (Spain)



Accor VIP boxes, Parc des Princes (Paris, France)



BATTERY PACK™ RANGE



WIRELESS CHARGERS FOR FURNITURE NOT CONNECTED TO THE MAINS

In 80% of cases, the furniture cannot be connected to the electricity supply

- When the furniture is mobile, fixed connection is impossible.
- In some cases, the cost of connection to the mains is higher than the cost of the wireless charger, which is why we offer wireless chargers powered by a battery that can last for several days.



Qi certified



1 Wireless charger + 2 USB slots (Fast charging)



No electrical outlet



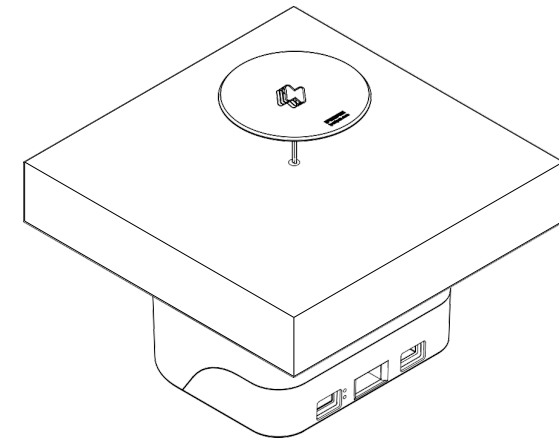
Shock proof



IP65 certified



Anti-theft system





Starbucks, Bluewaters Dubai (UAE)

SOME EXAMPLES BATTERY PACK™ RANGE IPATHIPATH



Paradores Hotel (Spain)



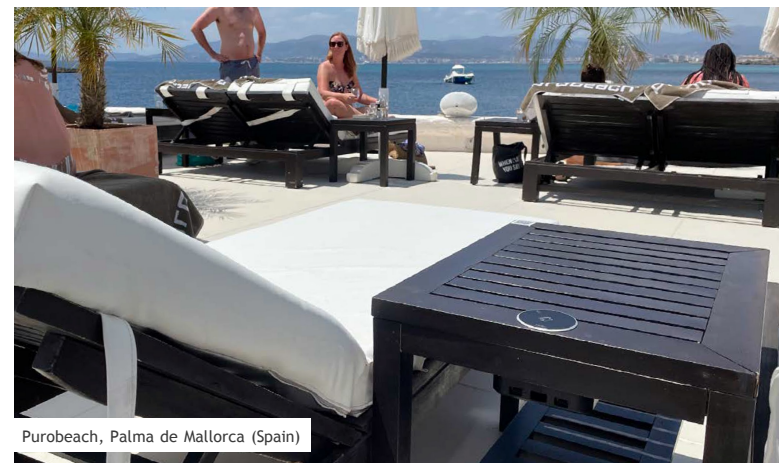
Bob Solo, Bla Station (Sweden)



Costa Coffee



Burger King, Marina Sale Rabat (Morocco)



Purobeach, Palma de Mallorca (Spain)



TABLE DISCS™ RANGE



2mm



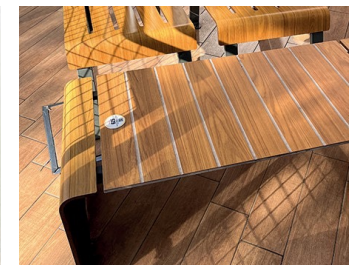
TABLE DISC FOR ORDERS FROM THE TABLE

Specially designed for intensive use in public venues

- Customizable Table disc
- Scratch resistant PC label
- Robust aluminium body
- 66.5mm diameter
- 2mm thickness
- 20g weight
- Ultra strong 3M layer
- Dedicated dashboards for best support



TABLE DISC EASILY INSTALLED ON THE SURFACE (INDOOR/ OUTDOOR)



3

IPATIPAT

**OUR EXPERTISE
AT YOUR SERVICE**



CUSTOM YOUR IPAN IPAN ANTENNA

MORE THAN A WIRELESS CHARGER,
A NEW ACCESS FOR YOUR CUSTOMERS
TO YOUR DIGITAL SERVICES



- Access to the order (via menu)
- Access to payment
- Access to the loyalty program
- Access to special offers

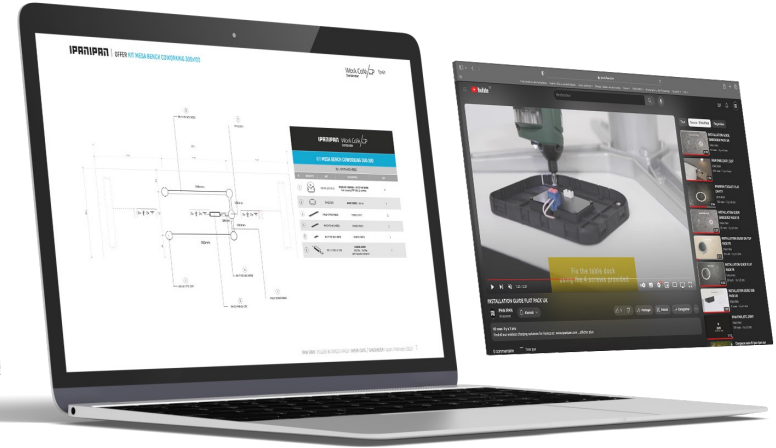


UNIQUE ANTENNA, UNIQUE SERVICE !

- Enhance Branding awareness
- Be in line with store design and corporate colors
- Attract faster customers to use the charger for a better customer's experience



DESIGN OFFICE & SUPPORTS

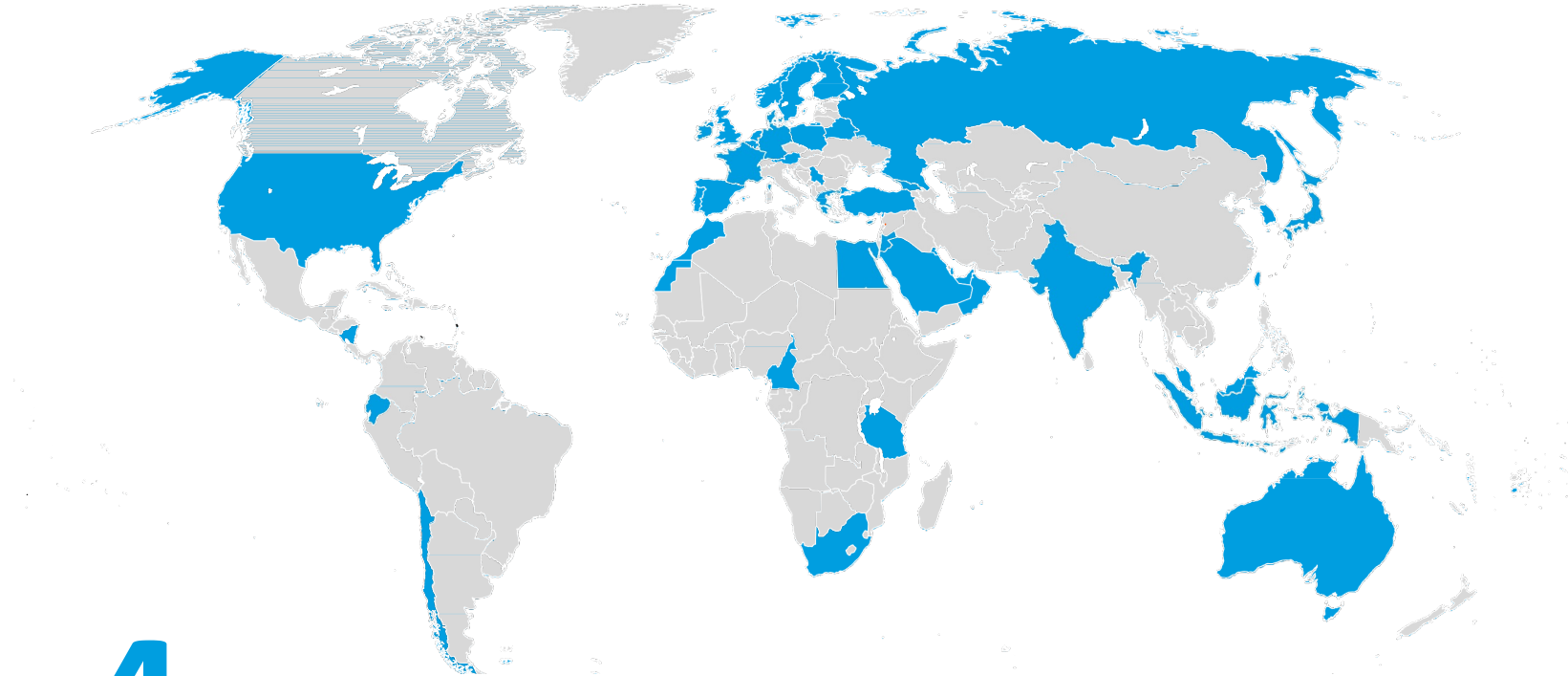


OUR DESIGN OFFICE WILL SUPPORT YOU THROUGHOUT YOUR PROJECT

- Study of the layout of your sign and the furniture to be fitted.
- Commercial offer based on the appropriate product range.
- Work in collaboration with your furniture manufacturer or your technical team to define the product kits required.
- Video or digital support to guide you through the installation of our wireless chargers.



A WORLDWIDE WIRELESS CHARGING NETWORK



4

countries

5





PowerSurface by Bee-Line B.V.

Nederhoeve 49
3438 LG Nieuwegein
T: 030-268 2957

Whatsapp: 06- 553 840 00
E: info@powersurface.nl

KvK: 57318433
Btw: NL8525.29.351